



MechTrac 1730, 2100, 2500 and 3000 Components for mechanized automation

MechTrac might very well be the most flexible and fastest way to increase your productivity. It takes the form of a gantry and can be equipped with A2 welding equipment for SAW or MIG/MAG to create a complete welding station. If the workpiece rotates, other welding methods such as TIG and Plasma can be used, depending on the application and handling equipment.

The MechTrac unit is suitable for different types of workpiece that can be covered by a gantry. The gantry offers the opportunity to weld profiles, such as I-, T- or L-beams, columns or tapered beams. MechTrac is available in five versions, depending on the size of the workpiece. The difference is the width of the gantry - 1730 mm, 2100 mm, 2500 mm or 3000 mm between the legs - and the number of driving motors. The length of the legs is the same for all types; 1500 mm from the top of the rail to the inside of the overhead beam (see the information relating to the operating range on the next page).

The floor mounted rail can be delivered as standard with a total length of three meters. It can then be extended to match the length of the components. The standard rail is supplied with an end guard which prevents the gantry losing contact with the rail. Other types of rail as A45, A55, A65 or SJ 50 can be used.

The MechTrac 1730 can be delivered with one or two driving motors. MechTrac 1730 with one driving motor will be equipped with two wheels on one side and one wheel on the other side.

All MechTrac's with dual drive will be equipped with four wheels, two on each side.

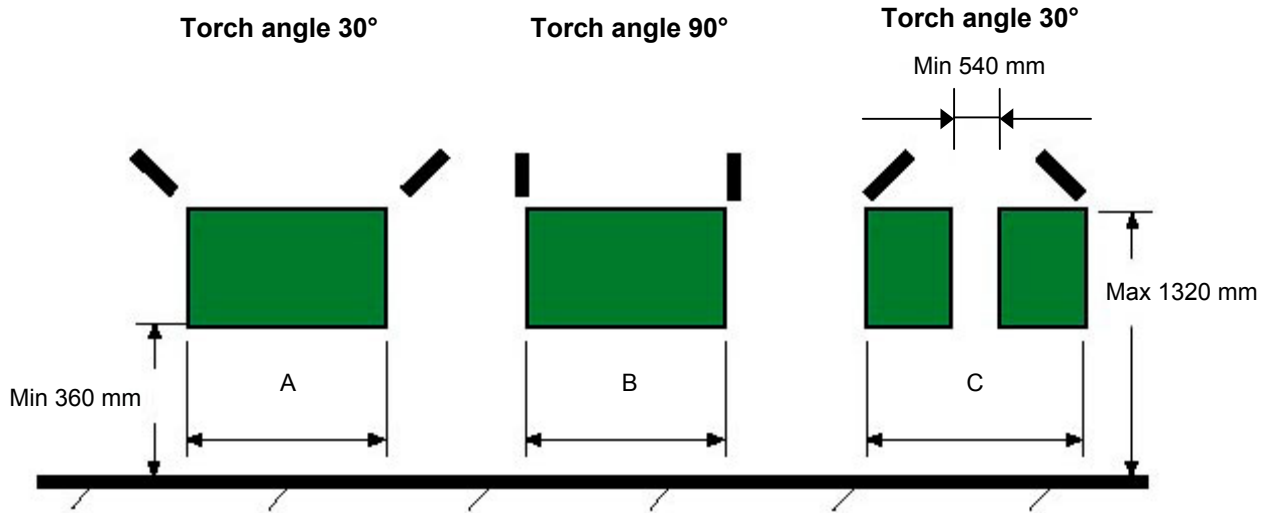


When MechTrac is equipped with driving motor on both sides, one will be master motor and the other one slave motor. The single or master motor is equipped with tacho. The gantry can support a maximum weight of 220 kg, which corresponds to two A2 welding heads, single or twin wire, complete with automatic joint tracking GMD and the OPC flux recovery unit, for example.

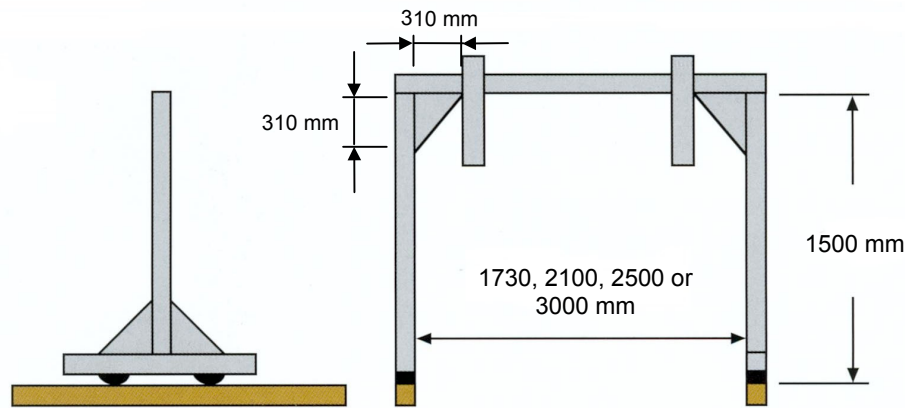
The PEH process controller is used with welding equipment, SAW or MIG/MAG. The welding parameters can be programmed swiftly and accurately. When two welding heads are used, one process controller takes control of one welding head and power source, plus the travel speed of the MechTrac. The other controls the second welding head and power source. To make transport and installation as easy as possible, MechTrac is supplied in component form and can easily be assembled on site.

Dimensional drawing

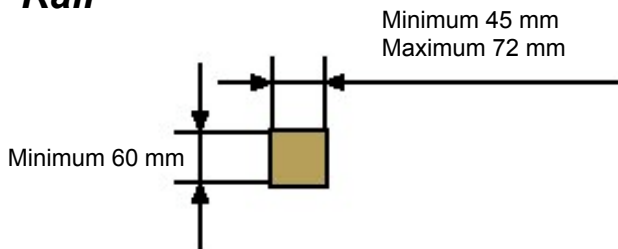
Working range MechTrac 1730, 2100, 2500 or 3000 mm



MechTrac



Rail



Technical data

Travel speed	0.2 - 1.9 m/min
Maximum load	220 kg
Standard rail length	3 m

Ordering information

MechTrac 1730, single drive	0809 670 880
MechTrac 1730, dual drive	0809 670 881
MechTrac 2100, dual drive	0809 670 882
MechTrac 2500, dual drive	0809 670 883
MechTrac 3000, dual drive	0809 670 884
Travelling rail, 3 m (=1.8 m welding length)	0806 707 880
Rail, 3 m to extend the travelling rail	0806 707 881

Please see respective leaflet for ordering information for suitable A2 welding heads and power sources.

Working range MechTrac	A Max	B Max	C Max
MechTrac 1730	630	1010	1390
MechTrac 2100	1000	1380	1760
MechTrac 2500	1400	1780	2160
MechTrac 3000	1900	2280	2660

ESAB reserves the right to alter specifications without prior notice
ESAB is approved according to ISO 9001:2000



ESAB AB
Welding Equipment
SE-695 81 LAXÅ, Sweden
Phone: +46 584-81000
Telefax: +46 584-12577
www.esab.com



ESAB 1904-2004